

PK 2 Months Classroom Kid Bits

WHAT WE ARE LEARNING:

Letter: Xx

Number: 4

Color: **PURPLE**

Shape: Oval 

DAILY SCHEDULE IS ATTACHED

WEEK OF: April 13- April 17

EXTENDED LEARNING:

- Sing alphabet song
- Sing days of the week
- Introduce/review letter "X"
- Count to 10/20
- Review SHAPES & COLORS.
- PLAY I SPY.
- Read a book.
- SING A SONG.
- Work on stacking
- ACTION GAME: Have your child act like a tiger, lion, etc.
- Counting blocks to 10 and 20.

Jesus Time:

Jesus is Crucified

Matthew 27:32-66 Luke 23:33-56

Theme: *Jesus Saves Us!*

CRAFT IDEAS:

Make a letter "X"- Have students put Q-tips on it to make "bones" for and "x-ray".

Make a coffee filter butterfly- have child water color the coffee filter. put together with a piper cleaner, bread tie, etc.

Go on a nature walk- glue leaves sticks, etc. onto a paper for a collage.

Make a pom pom caterpillar on a craft stick or any stick.

DAILY WORKSHEETS:

1. Glue Stickers on "X"
2. Xylophone: Color paper- each key a different color.
3. Practice counting sheet.
4. Alliteration: Go over pictures, stressing "X" and color.

ABC MOUSE LOGIN

User/Email: ron@tlcsanangelo.com

Password: trinity1

Books we are Reading!

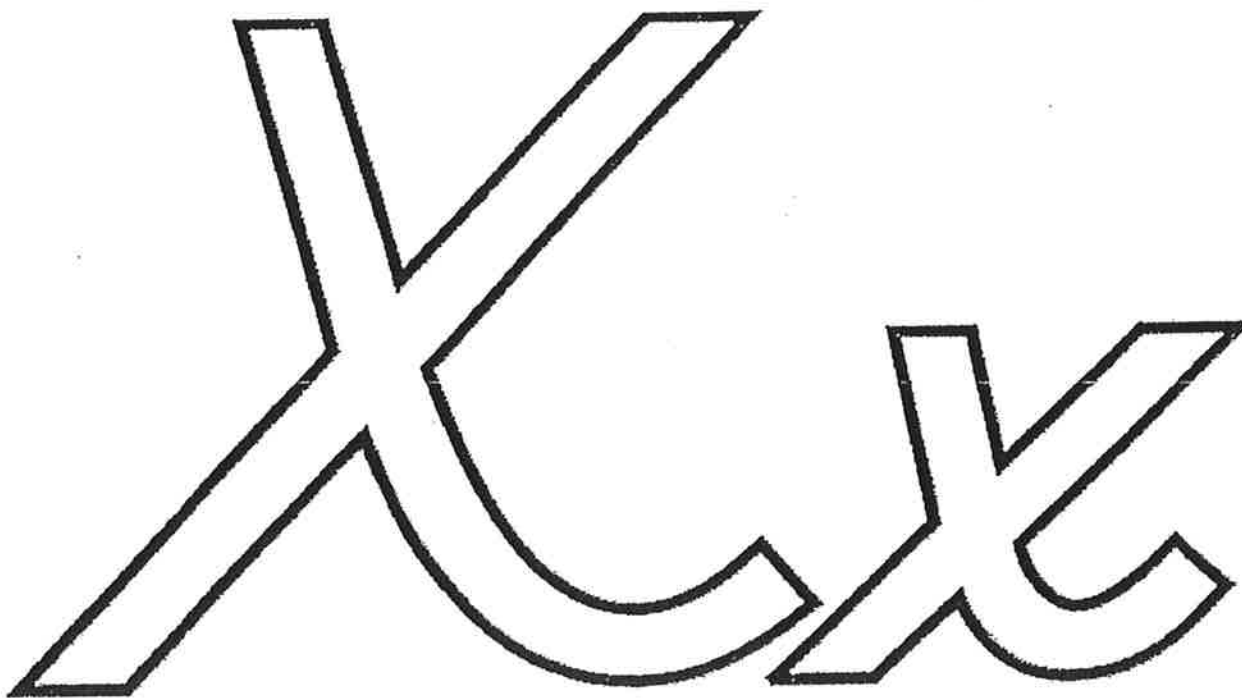
Spring Themed Books

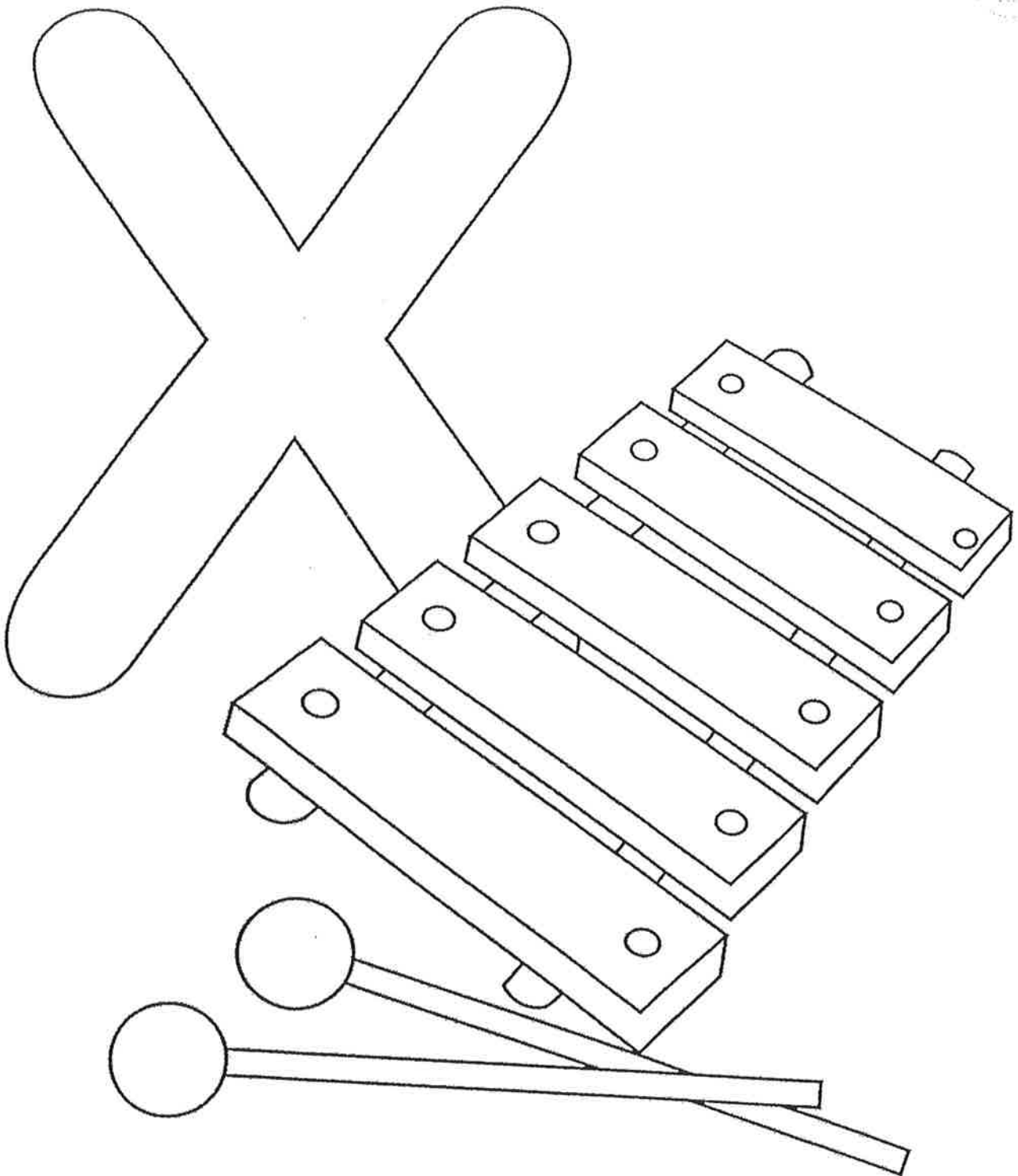
The Very Hungry Caterpillar

b teach

Letters Xx

D'Nealian





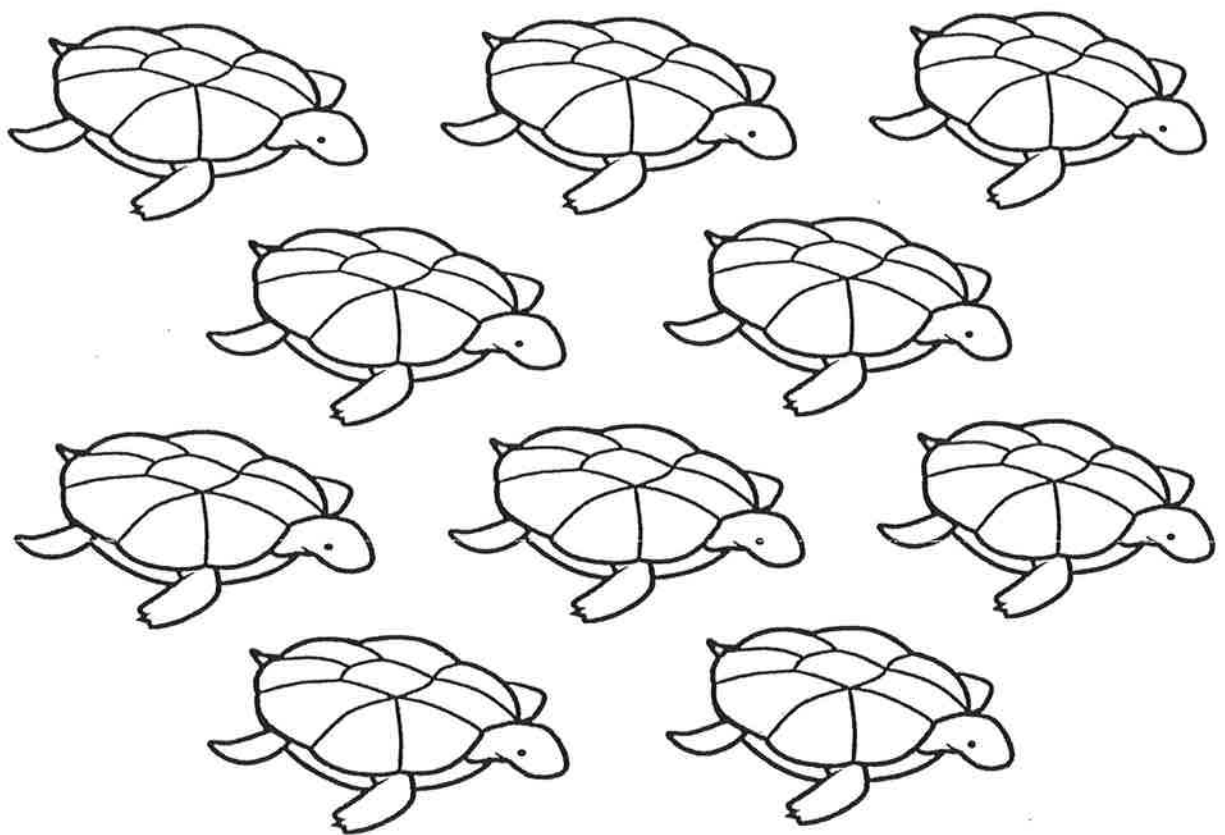
XYLOPHONE

Name _____

NUMBERS

Number Worksheet Practice Counting

Count the number of turtles, then circle the correct number below. Then color the correct number and the turtles.



7 8 9 10

